

## Key-Rex™ is not just a tamper-proof, vandal-proof, tamper-resistant screw.

Key-Rex™ fasteners are the world's most secure, tamper-proof screws and bolts on the market. Every set of Key-Rex™ screws and bolts are custom "keyed" for the client. Only the client has the bits to fit their custom set which are designed to be nearly impossible to remove without the bit.

Key-Rex™ shapes are created using an encryption process that builds a shape out of millions of variables and defines a unique code for each part. Customers pay for a one-time key code tool and licensing agreement.

SECURITY LEVEL: 10

WITH RAPTOR™ CLAW OPTION: 10+

### Key-Rex™:

- Is the only high-security fastener of its kind
- Requires a perfectly manufactured companion key/bit to remove
- The keyway is licensed, private, and unique for each user for total "lock" security
- Repels all other security bit tips and common tools
- Can be power driven for speed and torque
- Is rust-proof, stainless steel or 4037CrV steel with 150,000 psi
- Is the least expensive "lock" on the market
- When manufactured with the optional Raptor™ claw grip, it handles 20% more torque and provides more grip than any other security bolts and screws on the market.

Like the tumblers of a lock the unique keyway shape allows only it's matched key to fit.



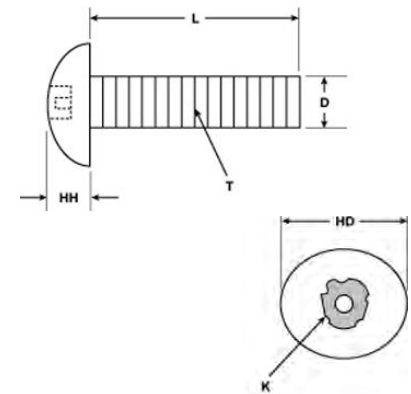
Driver bits are actually "keys" since they are the only things that can remove the Key-Rex™ fastener.



## KEY-REX™ MACHINE SCREWS

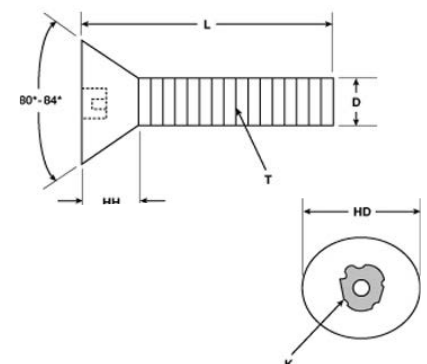
### Button-Head Machine Screws

NOM. Screw Size UNC.	Screw DIA. REF.	Head Diameter		Head Height		Drive Size REF.
		MAX	MIN	MAX	MIN	
2-56	.086	.164	.154	.060	.042	R02
4-40	.112	.213	.201	.070	.055	R04
6-32	.138	.262	.250	.085	.070	R06
8-32	.164	.312	.298	.105	.085	R10
10-24	.190	.361	.347	.120	.095	R12
12-14	.211	.440	.375	.160	.120	R25
1/4-20	.250	.437	.419	.160	.130	R25
5/16-18	.312	.547	.527	.190	.160	R31
3/8-16	.375	.656	.636	.225	.195	R37
1/2-13	.500	.875	.851	.300	.260	R50
5/8-11	.625	1.000	.970	.360	.320	R62



### Flat-Head Machine Screws

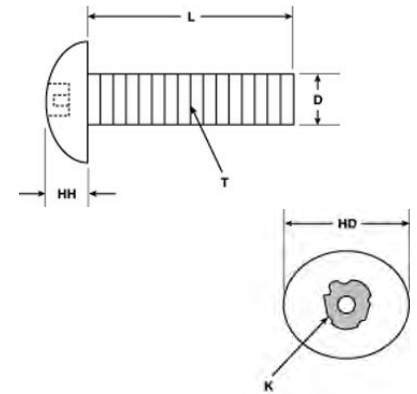
NOM. Screw Size UNC.	Screw DIA. REF.	Head Diameter		Head Height	Drive Size REF.
		MAX	MIN		
2-56	.086	.197	.168	.064	R02
4-40	.112	.218	.255	.083	R04
6-32	.138	.263	.307	.097	R06
8-32	.164	.311	.359	.112	R10
10-24	.190	.359	.411	.127	R12
12-14	.211	.405	.425	.155	R25
1/4-20	.250	.480	.531	.161	R25
5/16-18	.312	.600	.656	.198	R31
3/8-16	.375	.720	.781	.234	R37
1/2-13	.500	.872	.938	.251	R50
5/8-11	.625	1.112	.970	.324	R62



## KEY-REX™ METRIC MACHINE SCREWS

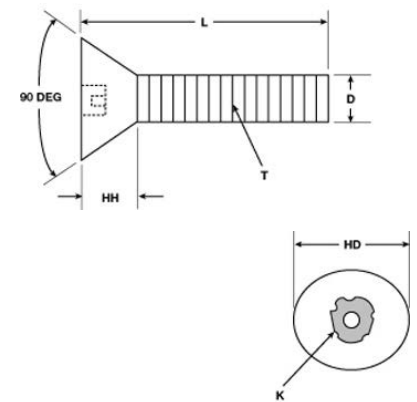
### Button-Head Metric Machine Screws

NOM. Screw Size	Screw DIA.	Head Diameter MM		Head Height MM		Drive Size REF.
	REF.	MAX	MIN	MAX	MIN	
M2x0.4*	.077	4.4	4.0	1.4	1.0	R02
M2.5x0.45*	.097	4.8	4.3	1.5	1.3	R04
M3x0.5	.118	5.7	5.4	1.65	1.43	R06
M4x0.7	.157	7.6	7.24	2.20	1.95	R10
M5x0.8	.196	9.5	9.14	2.75	2.5	R12
M6x1.0	.236	10.5	10.07	3.3	3.0	R25
M8x1.25	.315	14.0	13.57	4.4	4.05	R31
M10x1.5	.393	17.5	17.07	5.5	5.2	R37
M12x1.75	.472	21.0	20.48	6.6	6.24	R50
M16x2	.630	28.0	27.48	8.80	8.44	R62



### Flat-Head Metric Machine Screws

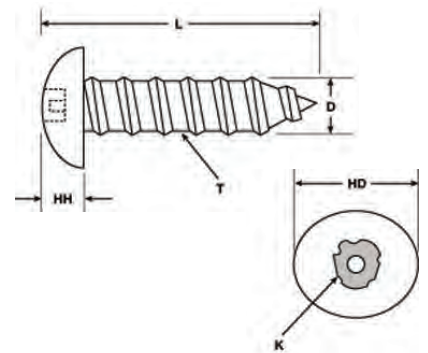
NOM. Screw Size UNC.	Screw DIA.	Head Diameter MM		Head Height MM		Drive Size REF.
	REF.	MAX	MIN	MAX	MIN	
M2x0.4*	.077	4.3	3.6	1.4		R02
M2.5x0.45*	.097	5.9	4.7	1.85		R04
M3x0.5	.118	6.72	5.35	1.88		R06
M4x0.7	.157	8.00	7.00	2.2		R10
M5x0.8	.196	11.2	9.75	3.1		R12
M6x1.0	.236	13.5	11.7	3.8		R25
M8x1.25	.315	17.92	15.62	4.96		R31
M10x1.5	.393	22.4	19.5	6.2		R37
M12x1.75	.472	27	23.4	7.44		R50
M16x2	.630	34	23	8.8		R62



## KEY-REX™ SELF-TAPPING SCREWS

### Button-Head Self-Tapping Screws

NOM. Screw Size AB Self-Tapping	Screw DIA.	Head Diameter		Head Height		Drive Size REF.
	REF.	MAX	MIN	MAX	MIN	
2-32	.086	.086	.154	.046	.038	R02
4-24	.112	.213	.201	.059	.051	R04
6-20	.138	.262	.250	.073	.063	R06
8-19	.164	.312	.298	.087	.077	R10
10-16	.190	.361	.347	.101	.091	R12
12-14	.216	.396	.382	.116	.101	R25
14-14	.250	.437	.419	.132	.122	R25



### Flat-Head Self-Tapping Screws

NOM. Screw Size AB Self-Tapping	Screw DIA.	Head Diameter		Head Height		Drive Size REF.
	REF.	MAX	MIN	MAX	MIN	
2-32	.086	.197	.168	.064		R02
4-24	.112	.255	.218	.083		R04
6-20	.138	.307	.263	.097		R06
8-18	.164	.359	.311	.112		R10
10-16	.190	.411	.359	.127		R12
12-14	.216	.480	.411	.135		R25
14-14	.250	.531	.480	.161		R25

